

Installation Guide

10" Kiosk with Desk Stand



SPECIFICATIONS

Kiosk Dimensions

180mm (w) x 270mm (h) x 30mm (d)

Stand Dimensions

Base: 180mm x 180mm x 250mm

Overall Dimensions

180mm (w) x 220mm (h) x 350mm (d)

Connectivity

Ethernet connection

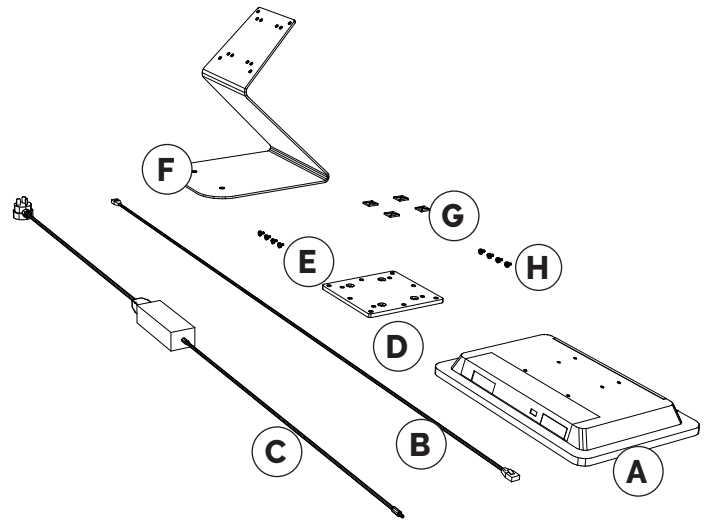
Power

240V

19V 21A power adapter

EQUIPMENT LIST

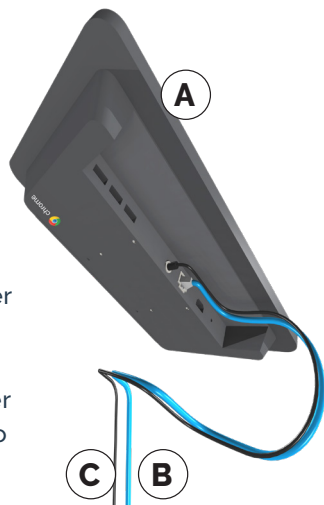
- A. 10" Chromebase Kiosk
- B. 3m Ethernet cable
- C. Power supply consisting of '1x IEC C5 cloverleaf power cable' and '1x 12v adaptor'
- D. 115mm(sq) Alloy adaptor plate
- E. M4x5 Philips head screws
- F. Desk Stand
- G. Adhesive cable tie mounts
- H. M4x8 Philips head screws



MOUNTING THE KIOSK ONTO THE DESK STAND

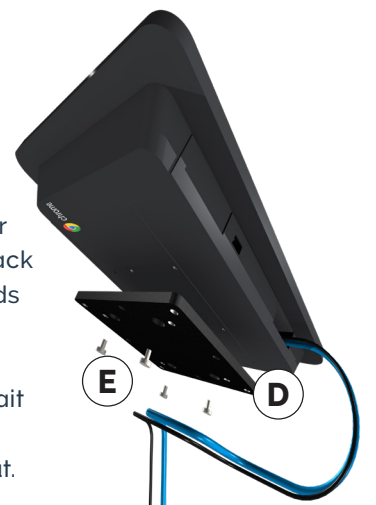
1

Remove the IO cover on the rear of the kiosk (A) and connect the 12v power cable (C) and the ethernet cable (B) into their ports. Replace the IO cover and use the folding tabs to manage the cables.



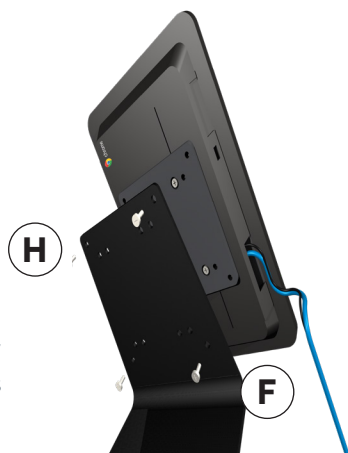
2

Install the alloy adaptor plate (D) to the kiosk back using the 4 Philips heads screws (E). Ensure the adaptor plate has the screws holes in a portrait orientation with the counterbores facing out.



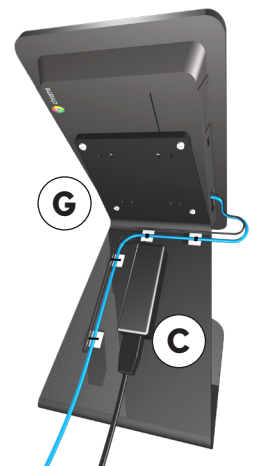
3

Attach the desk stand (F) to the kiosk assembly using the 4 Philips heads screws (H).



4

The cables can be held in place by using the adhesive cable tie mounts (G). The power pack (C) can be held in place with the velcro strip adhered to the power pack.



NEED ASSISTANCE?

Nightlife's crowdDJ® Kiosks are a great addition to any venue. For any questions about the installation or positioning of your desk mounted Kiosk, your Relationship Manager will be available to help.